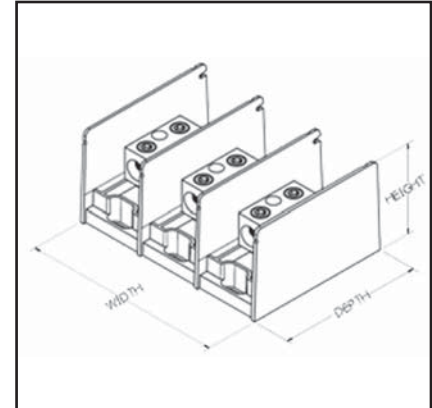


**UL LISTED  
POWER DISTRIBUTION  
BLOCKS**

VERSIPOLE™



These Power Distribution Blocks are Listed to the Power Distribution Block Standard UL 1953. They contain the same features and characteristics as the non-Listed blocks however, these have spacings that are suitable for installations in most industrial control panel feeder and branch circuits, HVAC systems, and Wireways (with optional cover; sold separately). They are available in one, two, or three pole configurations. An “Adder” is also available with optional End Barrier (sold separately), to allow user customized configurations.



**Features & Benefits**

- Single or dual run connections allow the user to minimize the number of connections required
  - Suitable for use with aluminum or copper conductors providing maximum versatility
  - Available in 3 sizes for optimization of space
  - 600V, ALCU Rated; meets or exceeds industry standard requirements
  - Range taking designs to accommodate wire sizes up to 600 kcmil
  - High Short-Circuit Rating up to 100kA with proper fusing
  - Meets spacing requirements of Industrial Control Panel Standard UL 508A (spacing of 1” through air and 2” over surface)
  - Adders and End Barriers available separately for all 3 sizes providing capability to create as many poles as required
  - Hinged Covers available separately to cover 3 sizes providing user protection and easy access to connector terminal block
- <sup>1</sup> Short-Circuit Current Rating with proper fusing

**Small Series:**

Catalog Number	Connector		Run	Tap	Width	Height	Depth	Ampere Rating per Pole	Number of Poles	SCCR <sup>1</sup>
	Number of Run(s)	Number of Tap(s)	Wire Range AL9CU	Wire Range AL9CU						
BDCSHC142/01	1	4	14-2/0	14-4	1.05	2.81	3.08	175	1	100kA
BDASHC142/01	1	4	14-2/0	14-4	0.93	2.81	3.08	175	Adder	100kA
BDCSHC112/01	1	1	14-2/0	14-2/0	1.05	2.81	3.08	175	1	100kA
BDASHC112/01	1	1	14-2/0	14-2/0	0.93	2.81	3.08	175	Adder	100kA

**Small Series Hinged Cover and End Barrier:**

Catalog Number	Description
BDASHCEB	End Barrier for Small Series Adder Distribution Blocks
BDBSHCCOVER	Hinged Cover for use with Small Series Distribution Blocks and Adders (use of End Barrier necessary with Adders to attach cover). Order 1 cover per pole

Blue highlighted items are industry standard and most frequently ordered.